

Product Information



EM TEST

Tapped Auto Transformer Type V4780 S2

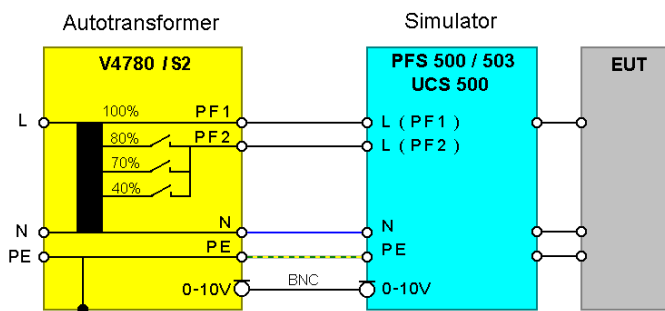
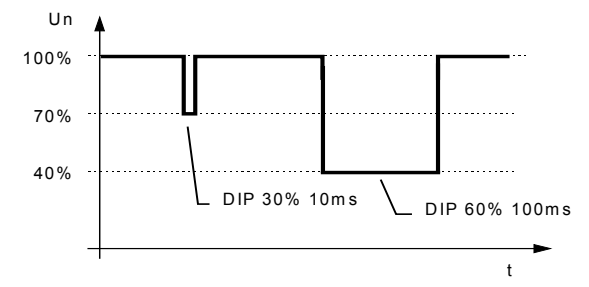


The tapped transformer can be used to simulate power supply failures as voltage interruptions. The basic standard EN/IEC 61000-4-11 Ed.2 specifies this phenomena.

Voltage interruptions (DIPS)

Voltage interruptions will cause a reduction of the power supply voltage for a certain period of time. Four different test levels are required:

- Reduction by 100% to 0% of the nominal voltage
- Reduction by 60% to 40% of the nominal voltage
- Reduction by 30% to 70% of the nominal voltage
- Reduction by 20% to 80% of the nominal voltage



Technical data

Input	Vin: max. 250V at 50/60Hz
Output:	Vout: 100% of Vin, 80% of Vin, 70% of Vin, 40% of Vin; automatic control
	I _{max} : 16A
Dimensions and Weight	95 x 170 x 190 mm (H x W x L), approx. 7 kg
Power supply	115/230V
Fusing	2 x 16A

During the normal use of this device the relay contacts only carry the load current.